



Depend future on consistent innovation  
Create resplendence by first-class facility



# FORGED STEEL VALVE



## FUKUYAMA CO., LTD

**HEAD OFFICE IN JAPAN**  
JUNO-CHO, SAITAMA-CITY, SAITAMA-PREF, JAPAN  
TEL: +81-3-5929-9722  
FAX: +81-3-5929-9722

**OFFICE IN CHINA**  
601, RAMADA, 18 VICTORY PLAZA, ZHONGSHAN DISTRICT, DALIAN, CHINA  
TEL: +86-411-82829850 / 82652883 / 82655996  
FAX: +86-411-82813886  
E-MAIL: my\_fkym@dlfkym.com



**FUKUYAMA CO., LTD**

# FUKUYAMA CO., LTD



## Perfect Quality originated from advanced manufacturing means

FUKUYAMA has high precision N.C. machine tools and a machining center, advanced equipment and testing instruments, sophisticated technology and perfect and strict quality management system, and gathers a team of professional and technical elites and the leading level of science and technology. Making full use of new technologies, new processes and new materials to ensure the stability and reliability of products. The advanced production lines and the consciousness of the best makes the high quality of products from FUKUYAMA.







## Superior Production And Inspection Equipments

FUKUYAMA' s each product is strictly tested. Highly responsible inspectors attentively dedicate to every part of products, combine with the most advanced testing equipment and strict scientific management that makes each product able to stand the carefully selected from our customers. FUKUYAMA promises to make every products to be produced with high levels of standard. This is the secret of FUKUYAMA' s products sell well.





# Products Show



Z11 Gate valve



Z11 Gate valve



Integrally-forged-flanged gate valve



Z61W Gate valve



Gate valve with extension end



Pressure sealing gate valve



Bellows gate valve



Regulation valve



Short lead leaching valve



Forged-flanged globe valve



Pressure sealing globe valve



J61 Globe valve



## Forged Steel Valve



Y Type forged steel globe valve



H44 Swing Check valve



H64 Swing Check valve



Lift-type check valve



Pressure sealing check valve



Y Type strainer



Forged steel cryogenic valve



Y Type strainer



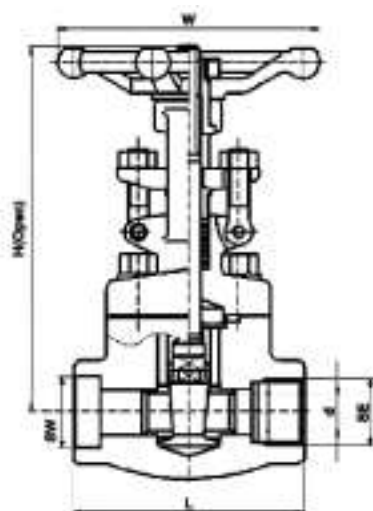
Forged steel ball valve

# Forged Steel Valve

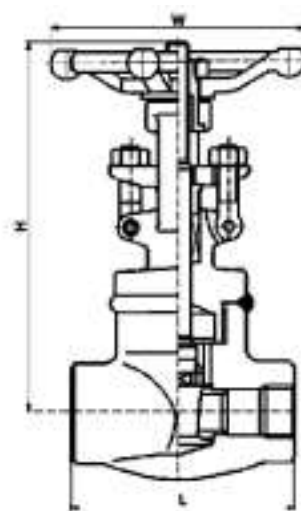
## Contents

Class 150Lb~800 S.W(NPT) Gate Valve .....	01
CL900~1500 S.W(NPT) Gate Valve .....	02
CL900~1500 Pressure Seal Gate Valve .....	03
CL900~1500 Butt Welding Gate Valve .....	04
CL2500 Pressure Seal Gate Valve .....	05
CL150~600 Flange Gate Valve .....	06
PN1.6~10.0MPa Flange Gate Valve .....	07
CL150~800 S.W(NPT) Globe Valve .....	08
CL900~1500 S.W(NPT) Globe Valve .....	09
CL900~1500 Pressure Seal Globe Valve .....	10
CL900~1500 Butt Welding Globe Valve .....	11
CL2500 Pressure Seal Globe Valve .....	12
CL150~600 Weld Flange and Integral Flange .....	13
PN1.6~10.0MPa Flange Globe Valve .....	14
CL150~800 S.W(NPT) Check Valve .....	15
CL900~1500 S.W(NPT) Check Valve .....	16
CL800 S.W(NPT) Swing Check Valve .....	17
CL150~600 Flange Check Valve .....	18
CL150~800 S.W(NPT) Ball Check Valve .....	19
CL900~1500 S.W(NPT) Y Type Check Valve .....	20
CL150~800 S.W(NPT) Y-Strainer .....	21
CL800~1500 S.W(NPT) Y Type Globe Valve .....	22
CL150~800 S.W(NPT) Throttle Valve .....	23
CL150~600 Flange Throttle Gate Valve .....	24
CL150~800 S.W(NPT) Cryogenic Gate Valve .....	25
CL150~600 Flange Cryogenic Valve .....	26
CL150~800 S.W(NPT) Cryogenic Globe Valve .....	27
CL150~600 Flange Cryogenic Globe Valve .....	28
CL150~800 S.W(NPT) Globe Check Valve .....	29
CL150~600 Short Lead Leaching Valve .....	30
CL800 Short Lead Leaching Valve .....	31
CL150~800 Bellows Valve .....	32
Typical Forged Valve .....	33、34

# S.W(NPT) Gate Valve



Z61H-800LB-F1"



HZ61Y-800LB-1 1/2"

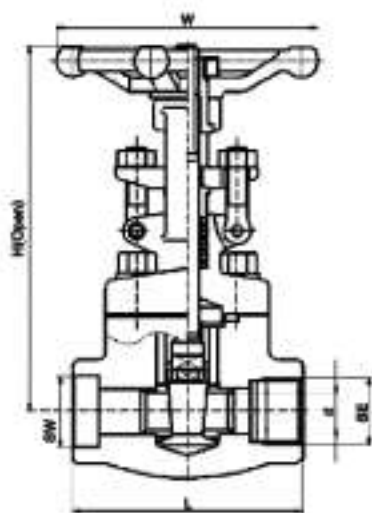
## Features and applications

- Reduced or full port
- Construction: B.B & W.B; OS&Y
- Gasket: Stainless steel+graphite
- Socket welding & threaded ends
- Material for hard trim is depend on client notice & operating condition
- Design & manufacture: API 602 & ANSI B16.34; JB/T 7746
- Socket welding dimension: ANSI B16.11 & JB/T 1751
- Screw end dimension: ANSI B1.20.1 & GB7306
- Inspect and test: API 598; JB/T9092
- Body material: A105, LF2, F5, F11, F22, F304, F304L, F316, F316L

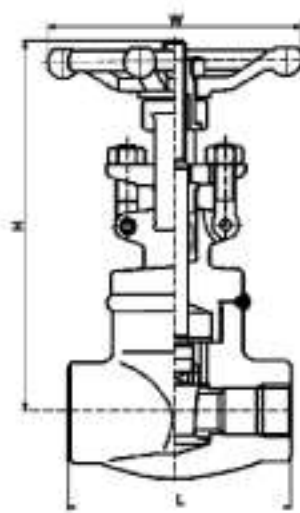
## Dimensions

Nominal diameter	Reduced port	mm(in)	8(1/4)	10(3/8)	15(1/2)	20(3/4)	25(1)	32(1 1/4)	40(1 1/2)	50(2)	
	Full port	mm(in)	-	-	10(3/8)	15(1/2)	20(3/4)	25(1)	32(1 1/4)	40(1 1/2)	50(2)
d	mm		7	7	10	12.7	18	23	28.5	36	43
L	mm		79	79	79	92	111	120	120	140	170
H (Open)	mm		150	150	150	165	190	227	240	275	332
W	mm		95	95	95	95	120	155	155	180	215





Z61H-1500LB-F1"



HZ11Y-900LB-1 1/2"

## Features and applications

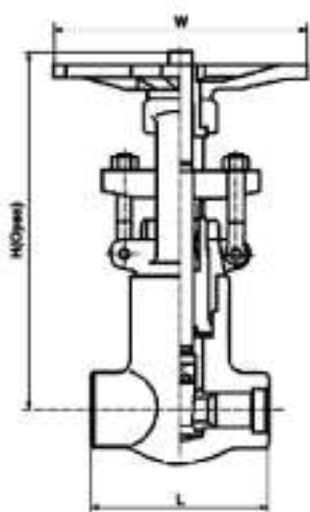
- Full port
- Construction: B.B & W.B; OS & Y
- Gasket: Stainless steel+graphite
- Socket welding & threaded ends
- Material for hard trim is depend on client notice & operating condition
- Design & manufacture: API 602 & ANSI B16.34; JB/T 7746
- Socket welding dimension: ANSI B16.11 & JB/T 175
- Screw end dimension: ANSI B1.20.1 & GB7306
- Inspect and test: API 598; JB/T9092
- Body material: A105, LF2, F5, F11, F22, F304, F304L, F316, F316L

## Dimensions

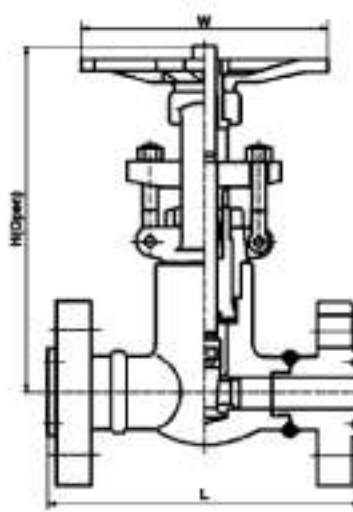
Norminal diameter	mm(in)	10(3/8)	15(1/2)	20(3/4)	25(1)	32(1 1/4)	40(1 1/2)	50(2)
d(R.P)	mm	8	10	13	18	23	28	36
L	mm	79	92	111	120	120	140	170
H (Open)	mm	150	165	190	227	240	275	334
W	mm	95	95	120	155	155	180	215



# Pressure Seal Gate Valve



PZ61Y-160-DN25



PZ41Y-900LB-3/4"

## Features and applications

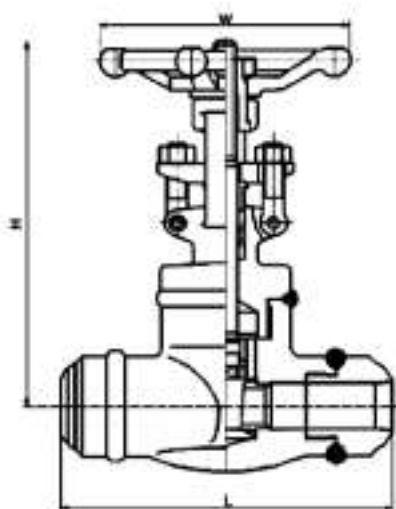
- Construction: P.S; OS & Y
- Socket welding; Screw; Flange
- Full port
- Replaceable hard-faced seats
- Design & manufacture: API 602; ANSI B16.34
- Socket welding dimension: ANSI B16.11 & JB/T 1751
- Flange dimension: ANSI B16.5; JB/T 82.1~82.4; HG/T 20592
- Screw end dimension: ANSI B1.20.1(NPT) & GB/T 7306
- Inspect and test: API 598; JB/T9092
- Body material: A105, LF2, F5, F11, F22, F304, F304L, F316, F316L

JB/T 7746

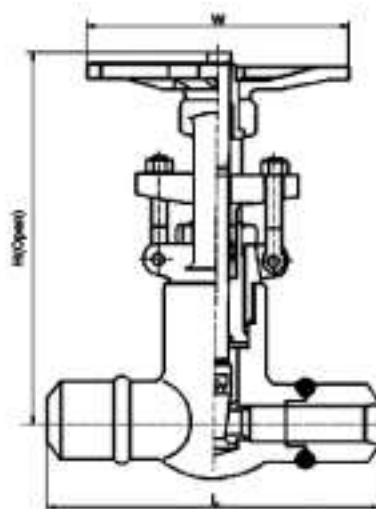
Face to face: ANSI B16.10; JB/T97

## Dimensions

Nominal diameter		mm(in)	15(1/2)	20(3/4)	25(1)	32(1 1/4)	40(1 1/2)	50(2)
d		mm	13	13	18	23	28	36
L	SW(NPT)	mm	140	140	140	178	178	216
	RTJ	mm	216	229	254	279	305	371.2
H (Open)		mm	321	321	321	380	414	502
W	SW(NPT)	mm	120	120	160	160	180	200
	RTJ	mm	160	180	200	200	250	280



HZ51Y-160-DN40



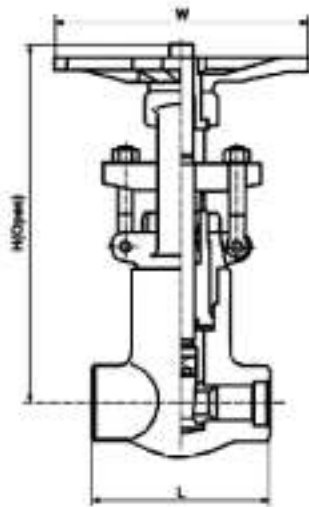
PZ51W-1500LBP-1

## Features and applications

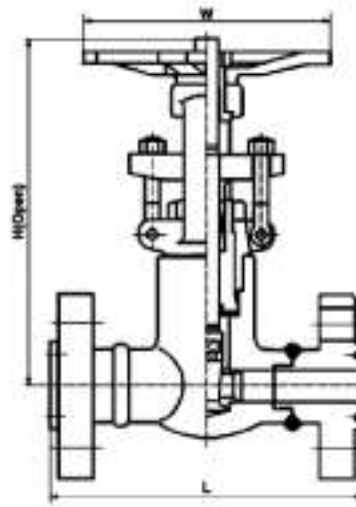
- Construction: P.S & W.B; OS&Y
- Design & manufacture: API 602 & ANSI B16.34; JB/T 7746
- Reduced port
- Butt welding ends dimension: ANSI B16.25 & GB/T 12224
- Replaceable hard-faced seats
- Inspect and test: API 598; JB/T9092
- Butt welding
- Body material: A105, LF2, F5, F11, F22, F304, F304L, F316, F316L
- Face to face: ANSI B16.10

## Dimensions

Nominal diameter		mm(in)	15(1/2)	20(3/4)	25(1)	32(1 1/4)	40(1 1/2)	50(2)
d		mm	13	13	18	23	28	36
L		mm	140	140	140	178	178	228
H (Open)	P.S	mm	321	321	321	380	414	495
	W.B	mm	297	297	297	343	380	456
W		mm	160	160	180	200	250	280



PZ61Y-420-DN15



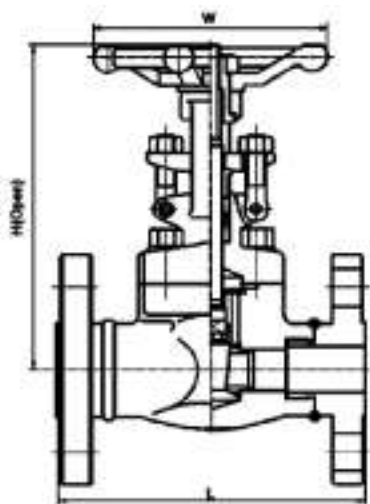
PZ41Y-2500LB-3/4"

## Features and applications

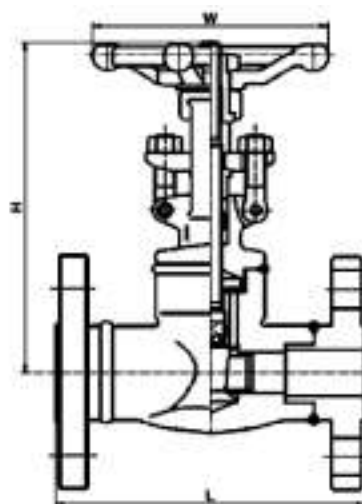
- ⊙ Construction: P.S; OS & Y
- ⊙ Socket welding; Screw end; Flange
- ⊙ Replaceable hard-faced seats
- ⊙ Design & manufacture: ANSI B16.34
- ⊙ Face to face: ANSI B16.10; JB/T97
- ⊙ Flange dimension: ANSI B16.5; JB/T 82.1~82.4; HG/T 20592
- ⊙ Socket welding dimension: ANSI B16.11 & JB/T 1751
- ⊙ Screw end dimension: ANSI B1.20.1(NPT); GB/T 7306(Rc)
- ⊙ Inspect and test: API 598
- ⊙ Body material: A105, LF2, F5, F11, F22, F304, F304L, F316, F316L

## Dimensions

Nominal diameter		mm(in)	15(1/2)	20(3/4)	25(1)	32(1 1/4)	40(1 1/2)	50(2)
d		mm	11	14	19	25	28	36
L	SW(NPT)	mm	186	186	186	178	220	279
	RTJ	mm	264	273	308	352.2	387.2	454.2
H (Open)		mm	321	321	321	375	406	496
W	SW(NPT)	mm	120	120	160	160	180	200
	RTJ	mm	160	160	180	200	250	280



Z41H-300LB-1"



HZ41Y-150LB-1 1/2"

## Features and applications

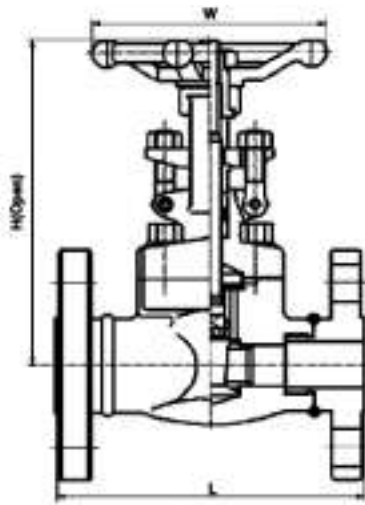
- Construction: B.B & W.B; OS & Y
- Gasket: Stainless steel+graphite
- Flange
- Replaceable hard-faced seats
- Design & manufacture: API 602; ANSI B16.34
- Flange dimension: ANSI B16.5
- Face to face: ANSI B16.10
- Inspect and test: API 598
- Body material: A105, LF2, F5, F11, F22, F304, F304L, F316, F316L

## Dimensions

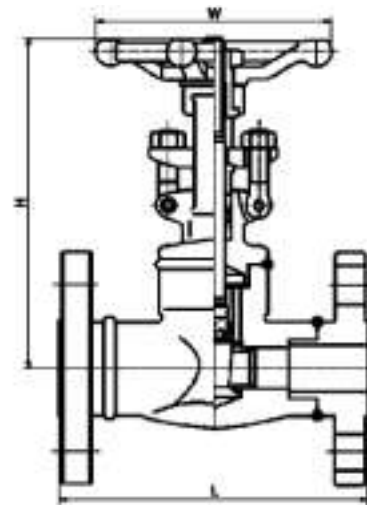
Nominal diameter		mm(in)	15(1/2)	20(3/4)	25(1)	32(1 1/4)	40(1 1/2)	50(2)
d		mm	10	13	18	23	28	36
L	CL150	mm	108	117	127	140	165	178
	CL300	mm	140	152	165	178	190	216
	CL600	mm	165	190	216	229	241	292
H	CL150	mm	133	150	184	218	246	283
	CL300-600	mm	166	169	193	230	246	283
W		mm	100	100	120	160	160	180

Note: Sealing type usually is Raised Face when pressure is not exceed class 600LB. Pls mark your requirements if the type is different, Face to face dimension of "RJ" in API standard is "X" longer than the one of "RF" .





Z41H-16C-DN20



HZ41Y-100-DN25

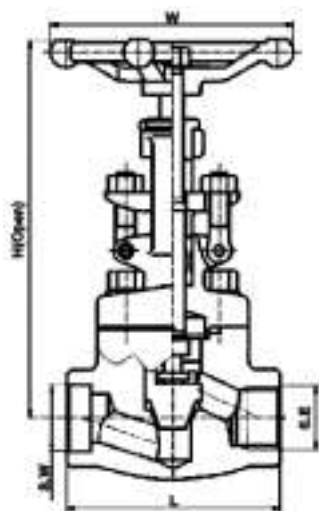
## Features and applications

- Construction: B.B & W.B; OS & Y
- Gasket: Stainless steel + graphite
- Flange
- Replaceable hard-faced seats
- Design & manufacture: GB/T 12224; JB/T7746
- Flange dimension: JB/T82.1~82.4; JB/T 79
- Face to face: JB/T 97
- Inspect and test: API 598; JB/T 9092
- Body material: A105, LF2, F5, F11, F22, F304, F304L, F316, F316L

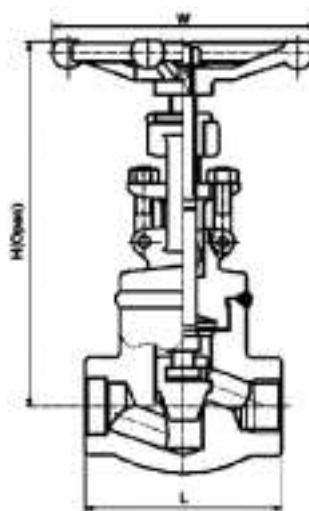
## Dimensions

Nominal diameter		mm(in)	15(1/2)	20(3/4)	25(1)	32(1 1/4)	40(1 1/2)	50(2)
d		mm	10	13	18	23	28	36
L	1.6	mm	170	190	210	230	250	250
	2.5	mm						
	4.0	mm						
	6.4	mm						
	10.0	mm						
H (Open)		mm	130	150	160	180	200	250
W		mm	166	169	193	230	246	283
W		mm	100	100	120	160	160	180

Note: Flange Sealing Type Usually is female when normal pressure is 4.0Mpa, Please mark your special requirements if you want other.



J11H-800LB-1/2"



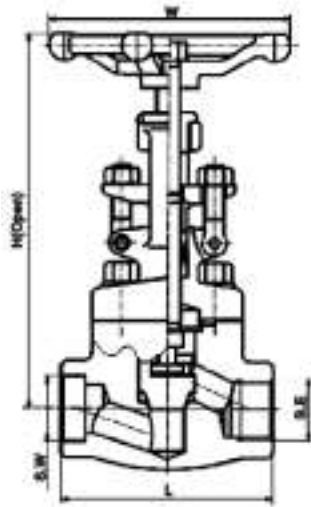
HJ11Y-600LB-1"

## Features and applications

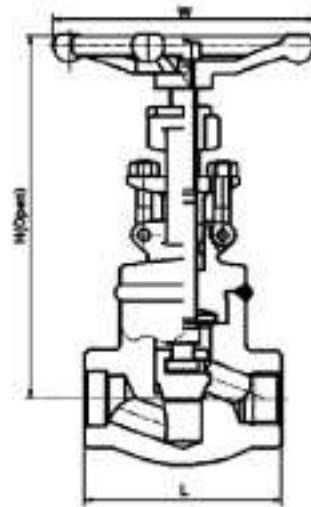
- Reduced or full port
- Construction: B.B & W.B; OS & Y
- Gasket: Stainless steel+graphite
- Socket welding & threaded ends
- Integral seat
- Design & manufacture: API 602; ANSI B16.34
- Socket welding dimension: ANSI B16.11; JB/T 1751
- Screw end dimension: ANSI B1.20.1(NPT); GB/T 7306(Rc)
- Inspect and test: API 598
- Body material: A105, LF2, F5, F11, F22, F304, F304L, F316, F316L

## Dimensions

Nominal diameter	Reduced port	mm(in)	8(1/4)	10(3/8)	15(1/2)	20(3/4)	25(1)	32(1 1/4)	40(1 1/2)	50(2)	
	Full port	mm(in)	-	-	10(3/8)	15(1/2)	20(3/4)	25(1)	32(1 1/4)	40(1 1/2)	50(2)
d	mm		6	8	10	13	18	23	28	33	43
L	mm		79	79	79	92	111	120	152	172	220
H (Open)	mm		166	166	166	175	206	228	262	300	340
W	mm		100	100	100	100	120	160	160	180	240



J11Y-900LB



HJ11Y-1500LB

### Features and applications

- ⊙ Construction: B.B & W.B; OS & Y
- ⊙ Gasket: Stainless steel + graphite
- ⊙ Socket welding; threaded ends
- ⊙ Integral seat
- ⊙ Design & manufacture: ANSI B16.34; API 602
- ⊙ Socket welding dimension: ANSI B16.11; JB/T 1751
- ⊙ Screw end dimension: ANSI B1.20.1(NPT); GB/T 7306(Rc)
- ⊙ Inspect and test: API 598
- ⊙ Body material: A105, LF2, F5, F11, F22, F304, F304L, F316, F316L

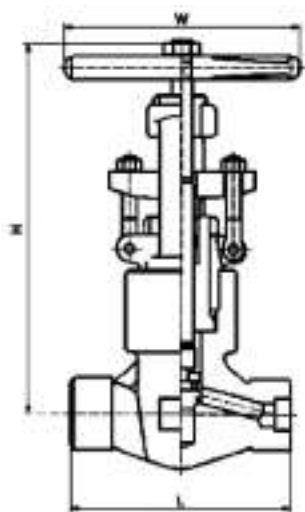
### Dimensions

Norminal diameter	mm(in)	8(1/4)	10(3/8)	15(1/2)	20(3/4)	25(1)	32(1 1/4)	40(1 1/2)	50(2)
d	mm	6	8	10	13	18	23	28	33
L	mm	79	79	92	111	120	152	172	220
H (Open)	mm	166	166	170	193	230	246	283	325
W	mm	100	100	100	120	160	160	180	200

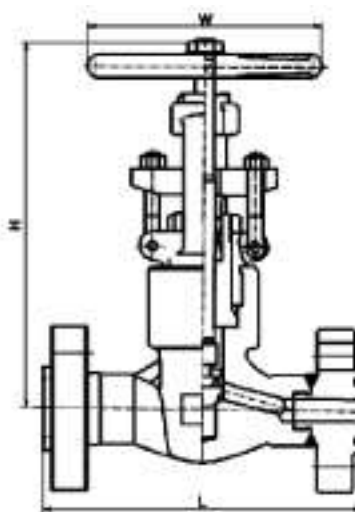


CL900~1500 PN16.0~25.0MPa

## Pressure Seal Globe Valve



PJ61Y-1500LB



PJ41Y-900LB

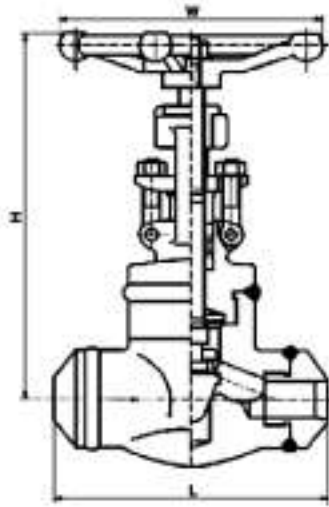
### Features and applications

- ⊙ Construction: P.S; OS & Y
- ⊙ Socket welding: Female thread; Flange
- ⊙ Integral seat
- ⊙ Design & manufacture: API 602; ANSI B16.34  
GB/T 12224; JB/T7746
- ⊙ Face to face: ANSI B16.10; JB/T96
- ⊙ Flange dimension: ANSI B16.5; JB/T82.1-82.4
- ⊙ Socket welding dimension: ANSI B16.11; JB/T 1751
- ⊙ Screw end dimension: ANSI B1.20.1(NPT) GB/T 7306(Rc)
- ⊙ Inspect and test: API 598.
- ⊙ Body material: A105, LF2, F5, F11, F22, F304, F304L, F316, F316L

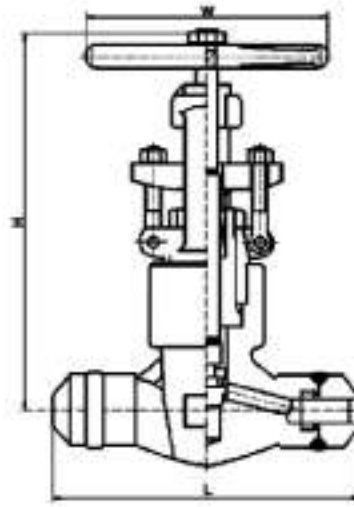
### Dimensions

Nominal diameter		mm(in)	15(1/2)	20(3/4)	25(1)	32(1 1/4)	40(1 1/2)	50(2)
d		mm	11	13	18	23	28	33
L	SW(NPT)	mm	140	140	140	178	178	228
	RTJ	mm	216	229	254	279	305	371.2
H (Open)		mm	321	207	240	258	290	337
W	SW(NPT)	mm	120	120	160	160	180	200
	RTJ	mm	160	160	180	200	250	280





HJ51Y-900LB



PJ51Y-1500LB

## Features and applications

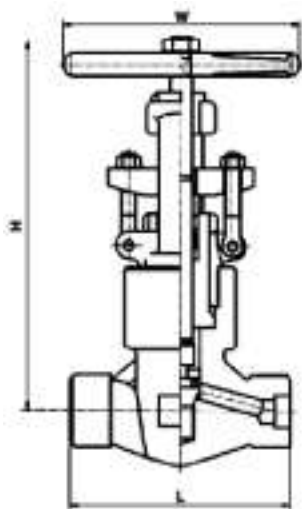
- Construction: P.S & W.B; OS & Y
- Butt welding
- Reduced port
- Integral seat
- Design & manufacture: API 602 & ANSI B16.34
- Face to face: ANSI B16.10
- Welding end dimension: ANSI B16.25
- Inspect and test: API 598
- Body material: A105, LF2, F5, F11, F22, F304, F304L, F316, F316L

## Dimensions

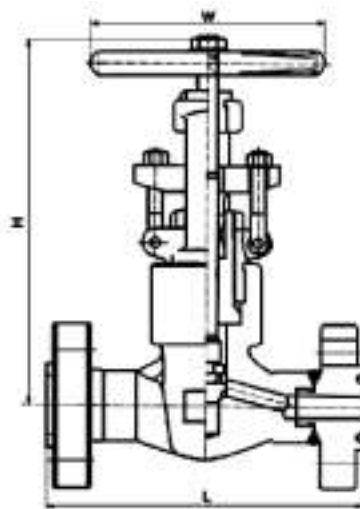
Nominal diameter		mm(in)	15(1/2)	20(3/4)	25(1)	32(1 1/4)	40(1 1/2)	50(2)
d (R.P)		mm	11	13	18	23	28	33
L		mm	140	140	140	178	178	228
H (Open)	P.S	mm	318	318	318	398	408	524
	W.B	mm	207	240	258	290	337	354
W		mm	160	160	180	200	250	280



## Pressure Seal Globe Valve



PJ61Y-420-DN15



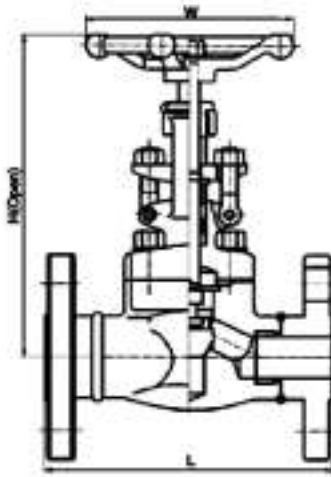
PJ41Y-2500LB-1"

### Features and applications

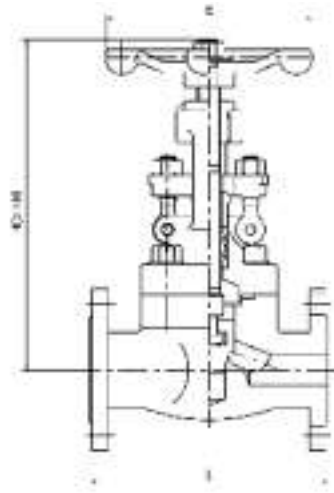
- ⊙ Construction: P.S; OS & Y
- ⊙ Gasket: Stainless steel+graphite
- ⊙ Integral seat
- ⊙ Design & manufacture: ANSI B16.34
- ⊙ Face to face: ANSI B16.10; JB/T96
- ⊙ Flange dimension: ANSI B16.5
- ⊙ Socket welding dimension: ANSI B16.11; JB/T 1751
- ⊙ Screw end dimension: ANSI B1.20.1(NPT); GB/T 7306(Rc)
- ⊙ Inspect and test: API 598
- ⊙ Body material: A105, LF2, F5, F11, F22, F304, F304L, F316, F316L

### Dimensions

Nominal diameter		mm(in)	15(1/2)	20(3/4)	25(1)	32(1 1/4)	40(1 1/2)	50(2)
d		mm	11	14	18	25	28	35
L	SW(NPT)	mm	186	186	186	178	228	279
	RTJ	mm	264	273	308	352.2	387.2	454.2
H (Open)		mm	333	333	333	410	420	524
W	SW(NPT)	mm	120	120	160	160	180	200
	RTJ	mm	160	160	180	200	250	280



J41H-150LB-1"



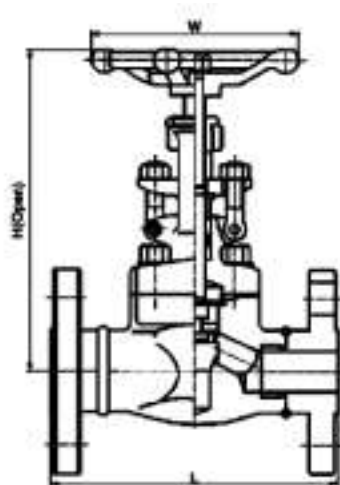
J41Y-300LB-3/4"

## Features and applications

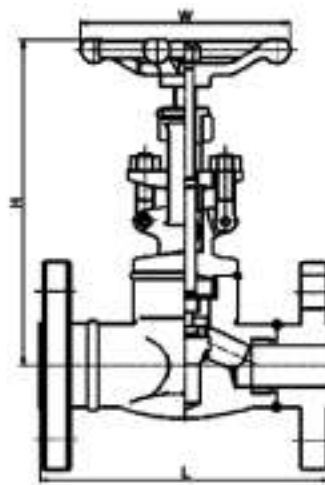
- ⊙ Construction: B.B & W.B; OS & Y
- ⊙ Gasket: Stainless steel+graphite
- ⊙ Flange
- ⊙ Integral seat
- ⊙ Design & manufacture: API 602 & ANSI B16.34
- ⊙ Flange dimension: ANSI B16.5
- ⊙ Face to face: ANSI B16.10
- ⊙ Inspect and test: API 598
- ⊙ Body material: A105, LF2, F5, F11, F22, F304, F304L, F316, F316L

## Dimensions

Nominal diameter		mm(in)	15(1/2)	20(3/4)	25(1)	32(1 <sup>1</sup> / <sub>4</sub> )	40(1 <sup>1</sup> / <sub>2</sub> )	50(2)
d		mm	10	13	18	23	28	33
L	CL150	mm	108	117	127	140	165	203
	CL300	mm	152	178	203	216	229	267
	CL600	mm	165	190	216	229	241	292
H	CL150	mm	140	154	184	216	232	260
	CL300-600	mm	166	175	206	228	262	300
W		mm	100	100	120	160	160	180



J41H-16C-DN25



HJ41Y-25-DN20

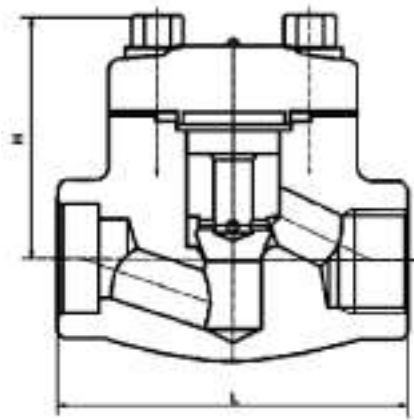
## Features and applications

- ◎ Construction: B.B & W.B; OS & Y
- ◎ Gasket: Stainless steel+graphite
- ◎ Flange
- ◎ Integral seat
- ◎ Design & manufacture:  
GB/T 12224; JB/T 7746
- ◎ Flange dimension: JB/T 82.1-82.4; JB/T 79
- ◎ Face to face: JB/T 96-95
- ◎ Inspect and test: API 598; JB/T9092
- ◎ Body material: A105, LF2, F5, F11, F22, F304, F304L, F316, F316L

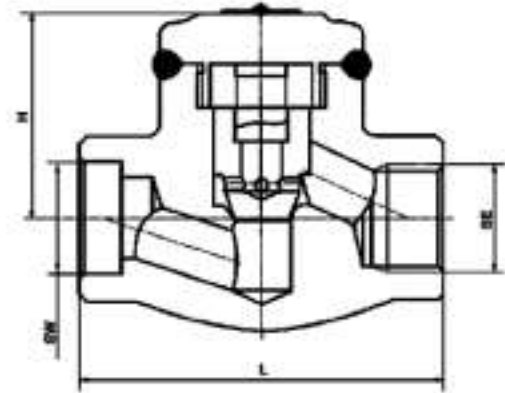
## Dimensions

Nominal diameter		mm(in)	15(1/2)	20(3/4)	25(1)	32(1 1/4)	40(1 1/2)	50(2)
d		mm	10	13	18	23	28	33
L	1.6, 2.5, 4.0	mm	130	150	160	190	200	230
	6.4, 10.0	mm	170	190	210	230	260	300
H		mm	190	195	230	245	262	300
W			100	100	120	160	160	180





H11H-150LB-3/4"



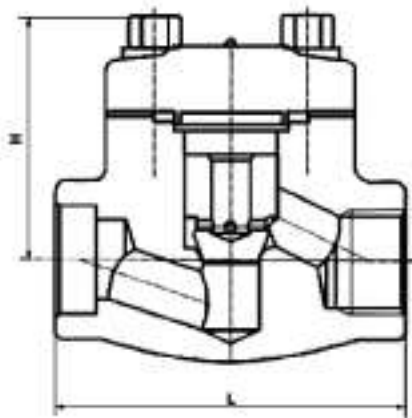
HH11Y-16C-DN25

## Features and applications

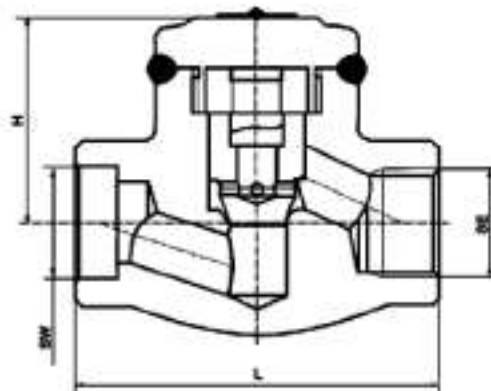
- ⊙ Reduced or full port
- ⊙ Construction: B.C & W.C; lift check valve
- ⊙ Gasket: Stainless steel+graphite
- ⊙ Socket welding & threaded ends
- ⊙ Integral seat
- ⊙ Socket welding dimension:  
ANSI B16.11; JB/T 1751
- ⊙ Screw end dimension: ANSI B1.20.1(NPT)  
GB/T 7306(Rc)
- ⊙ Design & manufacture: API 602; ANSI B16.34; API 600  
GB/T 12224; JB/T 7746
- ⊙ Inspect and test: API 598; JB/T9092
- ⊙ Body material: A105, LF2, F5, F11, F22, F304, F304L, F316, F316L

## Dimensions

Nominal diameter	Reduced port	mm(in)	8(1/4)	10(3/8)	15(1/2)	20(3/4)	25(1)	32(1 1/4)	40(1 1/2)	50(2)	
	Full port	mm(in)	—	—	10(3/8)	15(1/2)	20(3/4)	25(1)	32(1 1/4)	40(1 1/2)	50(2)
d	mm		6	8	10	13	18	23	28	33	42
L	mm		79	79	79	92	111	120	152	172	200
H	mm		62	62	62	63	78	82	102	120	147



H11Y-1500LB-1"



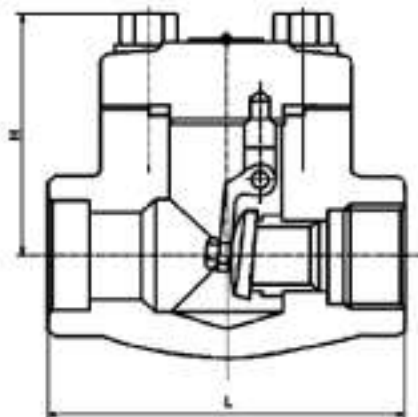
HH61H-160-DN20

### Features and applications

- ⊙ Construction: B.C or W.C; lift check valve
- ⊙ Gasket: Stainless steel+graphite
- ⊙ Socket welding & threaded ends
- ⊙ Integral seat
- ⊙ Socket welding dimension: ANSI B16.11; JB/T1751
- ⊙ Screw end dimension: ANSI B1.20.1; GB/T 7306
- ⊙ Design & manufacture: ANSI B16.34; API 602  
GB/T 12224; JB/T7746
- ⊙ Inspect and test: API 598; JB/T 9092
- ⊙ Body material: A105, LF2, F5, F11, F22, F304, F304L, F316, F316L

### Dimensions

Norminal diameter	mm(in)	15(1/2)	20(3/4)	25(1)	32(1 <sup>1</sup> / <sub>4</sub> )	40(1 <sup>1</sup> / <sub>2</sub> )	50(2)
d	mm	10	13	18	23	28	33
L	mm	92	111	120	152	172	200
H	mm	63	98	104	120	140	158



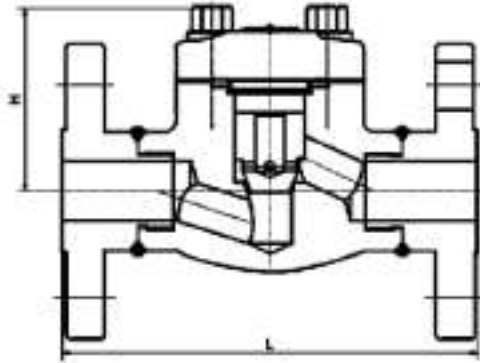
H64H-800LB-1"

## Features and applications

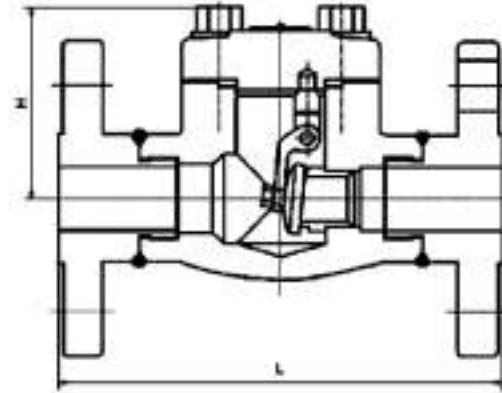
- ⊙ Reduced or full port
- ⊙ Construction: B.C Swing check valve
- ⊙ Gasket: Stainless steel+graphite
- ⊙ Socket welding & threaded ends
- ⊙ Replaceable hard-faced seats
- ⊙ Socket welding dimension:  
ANSI B16.11; JB/T 1751
- ⊙ Screw end dimension: ANSI B1.20.1; GB/T 7306
- ⊙ Design & manufacture: API 602; ANSI B16.34;  
GB/T 12224; JB/T 7746
- ⊙ Inspect and test: API 598; JB/T9092
- ⊙ Body material: A105, LF2, F5, F11, F22, F304, F304L, F316, F316L

## Dimensions

Nominal diameter	Reduced port	mm(in)	15(1/2)	20(3/4)	25(1)	32(1 1/4)	40(1 1/2)	50(2)	
	Full port	mm(in)	10(3/8)	15(1/2)	20(3/4)	25(1)	32(1 1/4)	40(1 1/2)	50(2)
d	mm	mm	10	13	18	23	28	36	42
L	mm	mm	79	92	111	120	120	140	170
H	mm	mm	62	63	78	82	1102	120	140



H41Y-300LB-3/4"



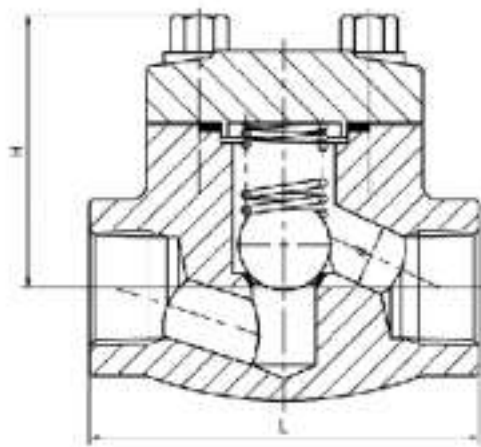
H44H-150LB-1"

### Features and applications

- ⊙ Reduced or full port
- ⊙ Construction:  
B.C lift check valve & swing check valve
- ⊙ Gasket: Stainless steel+graphite
- ⊙ Design & manufacture: API 602; ANSI B16.34;
- ⊙ Flange dimension: ANSI B16.5
- ⊙ Face to face: ANSI B16.10
- ⊙ Inspect and test: API 598
- ⊙ Body material: A105, LF2, F5, F11, F22, F304, F304L, F316, F316L

### Dimensions

Nominal diameter		mm(in)	15(1/2)	20(3/4)	25(1)	32(1 1/4)	40(1 1/2)	50(2)
L	CL150(L.S)	mm	108	117	127	140	165	203
	CL300(L)	mm	152	178	203	216	229	267
	CL300(S)	mm	152	178	216	229	241	267
	CL600(L.S)	mm	165	190	216	229	241	292
H		mm	62	63	78	82	102	120



H11H-800LB-DN15-DN65

## Features and applications

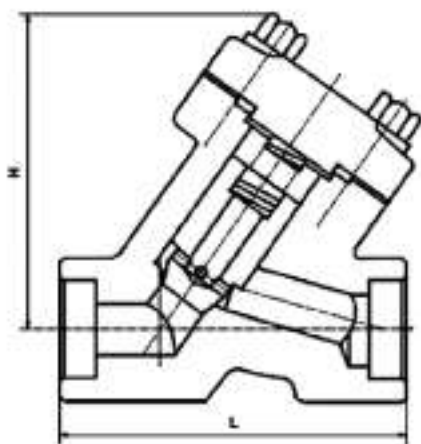
- ⊙ Reduced or full port
- ⊙ Construction: B.C & W.C.; Lift check valve
- ⊙ Gasket: Stainless steel+graphite
- ⊙ Socket welding & threaded ends
- ⊙ Integral seat
- ⊙ Socket welding dimension:  
ANSI B16.11; JB/T 1751
- ⊙ Screw end dimension: ANSI B1.20.1(NPT);  
GB/T 7306(Rc)
- ⊙ Design & manufacture: API 602; ANSI B16.34; API 600  
GB/T 12224; JB/T 7746
- ⊙ Inspect and test: API 598; JB/T9092
- ⊙ Body material: A105, LF2, F5, F11, F22, F304, F304L, F316, F316L

## Dimensions

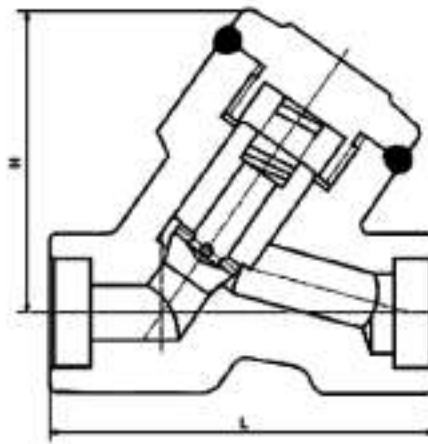
Nominal diameter	Reduced port	mm(in)	8(1/4)	10(3/8)	15(1/2)	20(3/4)	25(1)	32(1 <sup>1</sup> / <sub>4</sub> )	40(1 <sup>1</sup> / <sub>2</sub> )	50(2)	
	Full port	mm(in)	–	–	10(3/8)	15(1/2)	20(3/4)	25(1)	32(1 <sup>1</sup> / <sub>4</sub> )	40(1 <sup>1</sup> / <sub>2</sub> )	50(2)
d		mm	6	8	10	13	18	23	28	33	42
L		mm	79	79	79	92	111	120	152	172	200
H		mm	62	62	62	63	78	82	102	120	147



## S.W(NPT) Y Type Check Valve



H65H-800LB-1"



HH65Y-250-DN20

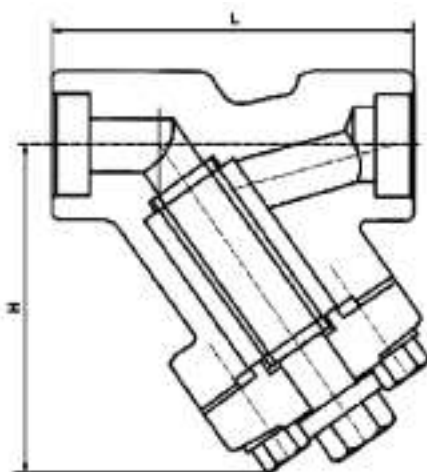
### Features and applications

- ⊙ Reduced or full port
- ⊙ Construction: B.C & W.C;
- ⊙ Y type lift check valve with spring & Piston
- ⊙ Gasket: Stainless steel+graphite
- ⊙ Socket welding & threaded ends
- ⊙ Integral seat
- ⊙ Socket welding dimension: ANSI B16.11; JB/T 1751
- ⊙ Screw end dimension: ANSI B1.20.1(NPT); GB/T 7306
- ⊙ Design & manufacture: API 602; ANSI B16.34;
- ⊙ GB/T 12224; JB/T 7746
- ⊙ Inspect and test: API 598; JB/T 9092
- ⊙ Body material: A105, LF2, F5, F11, F22, F304, F304L, F316, F316L

### Dimensions

Nominal diameter		mm(in)	10(3/9)	15(1/2)	20(3/4)	25(1)	32(1 1/4)	40(1 1/2)	50(2)
L	CL800	mm	98	98	98	120	140	140	170
	CL1500	mm	120	120	120	140	140	170	220
H	CL800	mm	84	84	84	102	114	115	145
	CL1500	mm	90	90	101	125	132	143	203





G65-800LB

## Features and applications

- ⊙ Construction: B.C; Y Type
- ⊙ Gasket: Stainless steel+graphite
- ⊙ Scerew Gasket: Copper Sheet
- ⊙ Socket welding & threaded ends
- ⊙ Socket welding dimension:  
ANSI B16.11; JB/T 1751
- ⊙ Screw end dimension: ANSI B1.20.1(NPT); GB/T 7306(Rc)
- ⊙ Design & manufacture: API 602; ANSI B16.34
- ⊙ Inspect and test: API 598
- ⊙ Body material: A105, LF2, F5, F11, F22, F304, F304L, F316, F316L

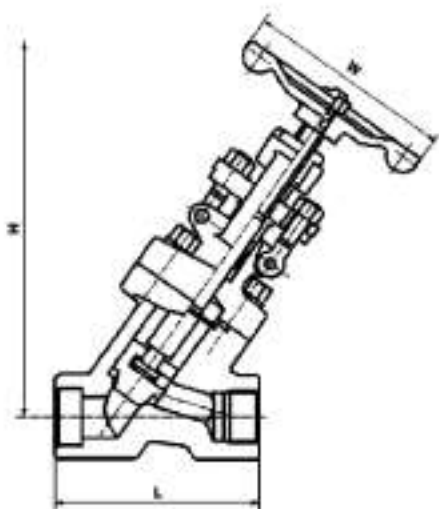
## Dimensions

Norminal diameter	mm(in)	15(1/2)	20(3/4)	25(1)	32(1 1/4)	40(1 1/2)	50(2)
d	mm	11	13	18	23	28	33
L	mm	98	98	120	140	140	170
H	mm	86	86	105	118	120	145

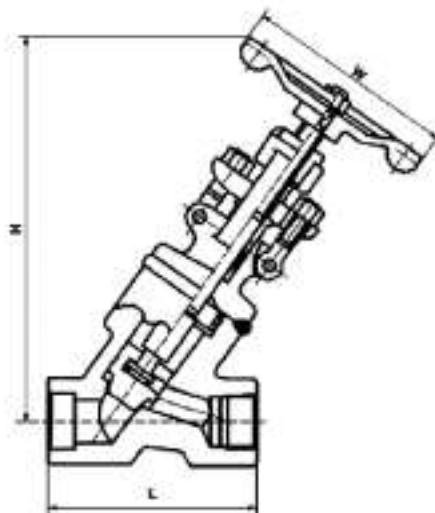


CL800~1500 PN14.0~25.0MPa

## S.W(NPT) Y Type Globe Valve



J65H-1500LB-1"



HJ65H-140-DN20

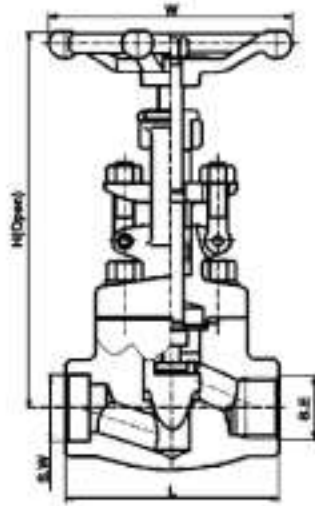
### Features and applications

- ◎ Construction: B.B & W.B; OS & Y
- ◎ Gasket: Stainless steel+graphite
- ◎ Socket welding & threaded ends
- ◎ Integral seat
- ◎ Socket welding dimension: ANSI B16.11; JB/T 1751
- ◎ Screw end dimension: ANSI B1.20.1; GB/T 7306(Rc)
- ◎ Design & manufacture: API 602; ANSI B16.34; GB/T 12224; JB/T 7746
- ◎ Inspect and test: API 598; JB/T 9092
- ◎ Body material: A105, LF2, F5, F11, F22, F304, F304L, F316, F316L

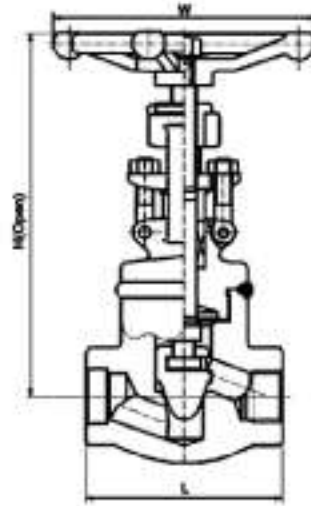
### Dimensions

Nominal diameter		mm(in)	10(3/8)	15(1/2)	20(3/4)	25(1)	32(1 1/4)	40(1 1/2)	50(2)
d		mm	7	11	13	18	23	28	33
L	CL800	mm	98	98	98	120	140	140	170
	CL1500	mm	98	98	120	140	140	170	220
H	CL800	mm	240	240	240	290	302	368	370
	CL1500	mm	170	170	195	235	278	278	310
W	CL800	mm	100	100	100	120	160	160	180
	CL1500	mm	125	125	125	160	160	180	200

## S.W(NPT) Throttle Valve



L61H-800LB-1/2"



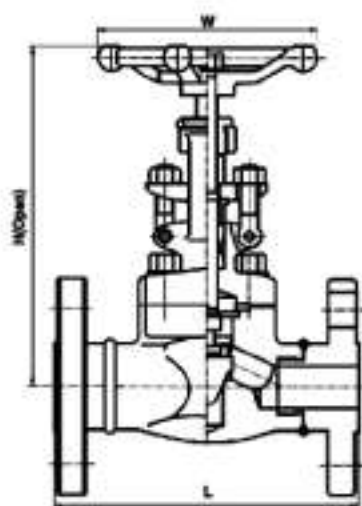
HL11W-40P-DN20

### Features and applications

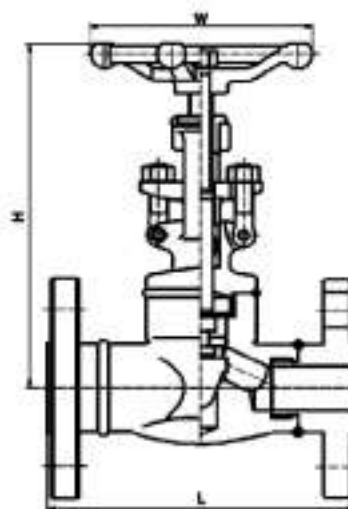
- ⊙ Reduced or full port
- ⊙ B.B & W.B; OS & Y
- ⊙ Gasket: Stainless steel+graphite
- ⊙ Socket welding & threaded ends
- ⊙ Integral set; throttle disc
- ⊙ Socket welding dimension: ANSI B16.11;  
JB/T 1751
- ⊙ Screw end dimension: ANSI B1.20.1; GB/T 7306-(Rc)
- ⊙ Design & manufacture: API 602; ANSI B16.34  
GB/T 12224; GB/T 12228; GB/T12235
- ⊙ Inspect and test: API 598
- ⊙ Body material: A105, LF2, F5, F11, F22, F304, F304L, F316, F316L

### Dimensions

Nominal diameter	Reduced port	mm(in)	8(1/4)	10(3/8)	15(1/2)	20(3/4)	25(1)	32(1 <sup>1</sup> / <sub>4</sub> )	40(1 <sup>1</sup> / <sub>2</sub> )	50(2)	
	Full port	mm(in)	—	—	10(3/8)	15(1/2)	20(3/4)	25(1)	32(1 <sup>1</sup> / <sub>4</sub> )	40(1 <sup>1</sup> / <sub>2</sub> )	50(2)
d	mm		6	8	10	13	18	23	28	33	43
L	mm		79	79	79	92	111	120	152	172	220
H	mm		166	166	166	175	206	228	262	300	340
W	mm		100	100	100	100	120	160	160	180	240



L41H-150LB-1/2"



HL41Y-600LB-1"

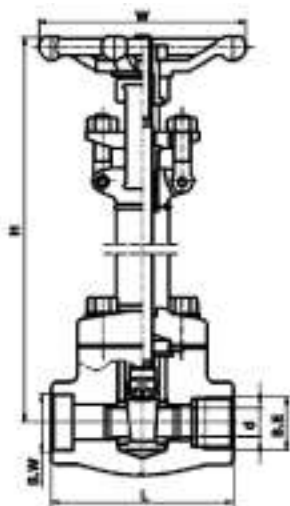
## Features and applications

- ⊙ Construction: B.B & W.B; OS & Y
- ⊙ Gasket: Stainless steel+graphite
- ⊙ Flange
- ⊙ Integral seat
- ⊙ Throttle disc
- ⊙ Design & manufacture: API 602; ANSI B16.34;
- ⊙ Flange dimension: ANSI B16.5
- ⊙ Face to face: ANSI B16.10
- ⊙ Inspect and test: API 598
- ⊙ Body material: A105, LF2, F5, F11, F22, F304, F304L, F316, F316L

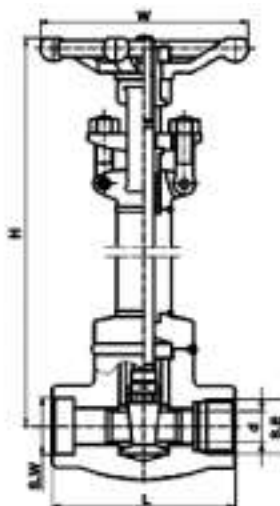
## Dimensions

Nominal diameter		mm(in)	15(1/2)	20(3/4)	25(1)	32(1 1/4)	40(1 1/2)	50(2)
d		mm	10	13	18	23	28	33
L	CL150	mm	108	117	127	140	165	203
	CL300	mm	152	178	203	216	229	267
	CL600	mm	165	190	216	229	241	292
H	CL150	mm	140	154	184	216	232	260
	CL300-600	mm	166	175	206	228	262	300
W		mm	100	100	120	160	160	180

# S.W(NPT) Cryogenic Gate Valve



DZ61W-300LB-1"



DHZ61W-16P-DN25

## Features and applications

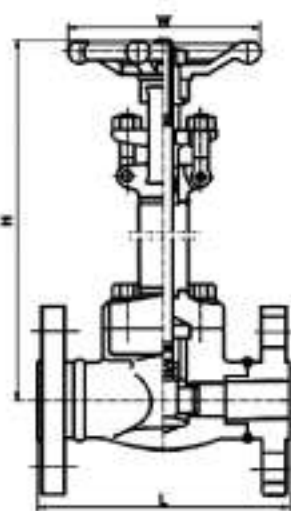
- Reduced or full port
- Construction: B.B & W.B; OS & Y
- Gasket: Stainless steel+graphite
- Socket welding & threaded ends
- Replaceable hardfaced seats
- Design & manufacture: API 602 & ANSI B16.34
- Socket welding dimension: ANSI B16.11
- Screw end dimension: ANSI B1.20.1
- Inspect and test: API 598
- Body material: F304, F304L, F316, F316L

## Dimensions

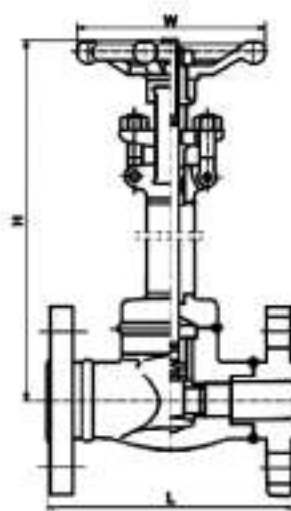
Nominal diameter		mm(in)	15(1/2)	20(3/4)	25(1)	40(1 1/2)	50(2)
d		mm	10	13	18	28	36
L		mm	79	92	111	120	140
H(Open)	≥ -60°C	mm	265	269	293	356	393
	≥ -100°C	mm	279	279	313	376	413
	< -100°C	mm	296	309	343	406	453
W		mm	100	100	120	160	180



## Flange Cryogenic Gate Valve



DZ41W-300LB-1"



DHZ41Y-600LB-1"

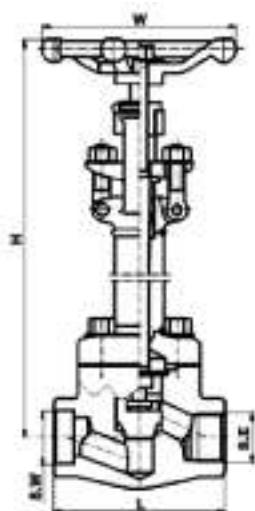
### Features and applications

- Reduced or full port
- Construction: B.B & W.B; OS & Y
- Gasket: Stainless steel+graphite
- Flange
- Replaceable hardfaced seats
- Design & manufacture: API 602 & ANSI B16.34
- Face to face: ANSI B16.10
- Flange dimension: ANSI B16.5
- Inspect and test: API 598
- Body material: F304, F304L, F316, F316L

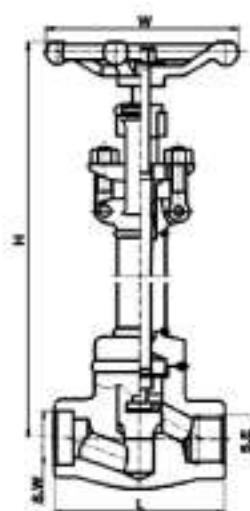
### Dimensions

Nominal diameter		mm(in)	15(1/2)	20(3/4)	25(1)	40(1 1/2)	50(2)
d		mm	10	13	18	28	36
L	CL150	mm	108	117	127	165	178
	CL300	mm	140	152	165	190	216
	CL600	mm	165	190	216	241	292
H(Open)	≥ -60°C	mm	265	269	293	356	393
	≥ -100°C	mm	276	279	313	376	413
	< -100°C	mm	296	309	343	406	453
W		mm	100	100	120	160	180



**S.W(NPT) Cryogenic Globe Valve**

DJ11H-800LB-1"



DHJ61Y-140-DN25

**Features and applications**

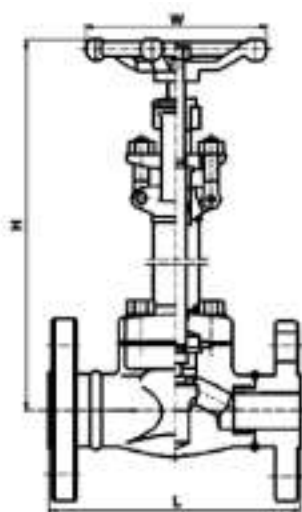
- Reduced or full port
- Construction: B.B&W.B; OS&Y
- Gasket: Stainless steel+graphite
- Socket welding & threaded ends
- Integral seat
- Design&manufacture: API602&ANSI B16.34
- Socket welding dimension: ANSI B16.11
- Screw end dimension: ANSI B1.20.1
- Inspect and test: API598
- Body material: F304, F304L, F316, F316L

**Dimensions**

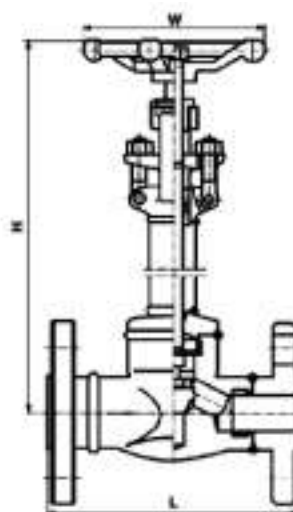
Nominal diameter		mm(in)	15(1/2)	20(3/4)	25(1)	40(1 1/2)	50(2)
d		mm	10	13	18	28	33
L		mm	79	92	111	152	172
H(Open)	≥ -60℃	mm	265	275	306	372	410
	≥ -100℃	mm	276	285	326	392	430
	< -100℃	mm	296	315	356	422	470
W		mm	100	100	120	160	180



## Flange Cryogenic Globe Valve



DJ41W-150LB-1 1/2"



DHJ41W-300LB-1"

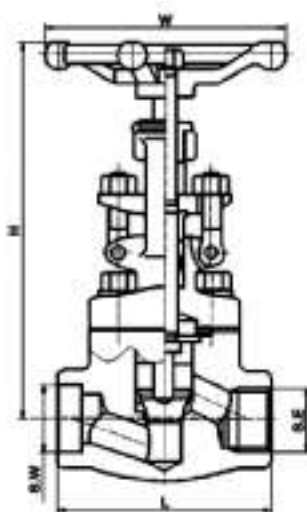
### Features and applications

- ⊙ Reduced or full port
- ⊙ Construction: B.B & W.B; OS&Y
- ⊙ Gasket: Stainless steel +graphite
- ⊙ Flange
- ⊙ Integral seat
- ⊙ Design&manufacture: API602 & ANSI B16.34
- ⊙ Face to face: ANSI B16.10
- ⊙ Flange dimension: ANSI B16.5
- ⊙ Inspect and test: API598
- ⊙ Body material: F304, F304L, F316, F316L

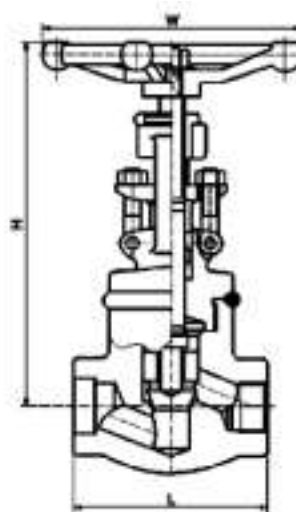
### Dimensions

Nominal diameter		mm(in)	15(1/2)	20(3/4)	25(1)	40(1 1/2)	50(2)
d		mm	10	13	18	28	33
L	CL150	mm	108	117	127	165	203
	CL300	mm	152	178	203	229	267
	CL600	mm	165	190	216	241	292
H(Open)	≥ -60°C	mm	265	275	306	372	410
	≥ -100°C	mm	276	285	326	392	430
	< -100°C	mm	296	315	356	422	470
W		mm	100	100	120	160	180

# S.W(NPT) Globe Check Valve



J61H-800LB-1"



DJ11Y-140-DN25

## Features and applications

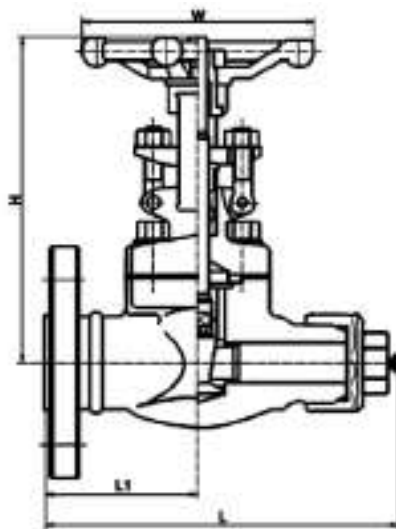
- Reduced or full port
- Construction: B.B&W.B;OS&Y
- Gasket: Stainless steel +graphite
- Socket welding & threaded ends
- Integral seat
- Design&manufacture:API602&ANSI B16.34
- Socket welding dimension: ANSI B16.11
- Screw end dimension :ANSI B1.20.1
- Inspect and test :API598
- Body material:A105,LF2,F5,F11,F22,F304,F304L,F316,F316L

## Dimensions

Nominal diameter	Reduced port	mm(in)	8(1/4)	10(3/8)	15(1/2)	20(3/4)	25(1)	32(1 <sup>1</sup> / <sub>4</sub> )	40(1 <sup>1</sup> / <sub>2</sub> )	50(2)	
	Full port	mm(in)	—	—	10(3/8)	15(1/2)	20(3/4)	25(1)	32(1 <sup>1</sup> / <sub>4</sub> )	40(1 <sup>1</sup> / <sub>2</sub> )	50(2)
d	mm		6	8	10	13	18	23	28	33	43
L	mm		79	79	79	92	111	120	152	172	220
H (Open)	mm		166	166	166	175	206	228	262	300	340
W	mm		100	100	100	100	120	160	160	180	240



## Short Lead Leaching Valve



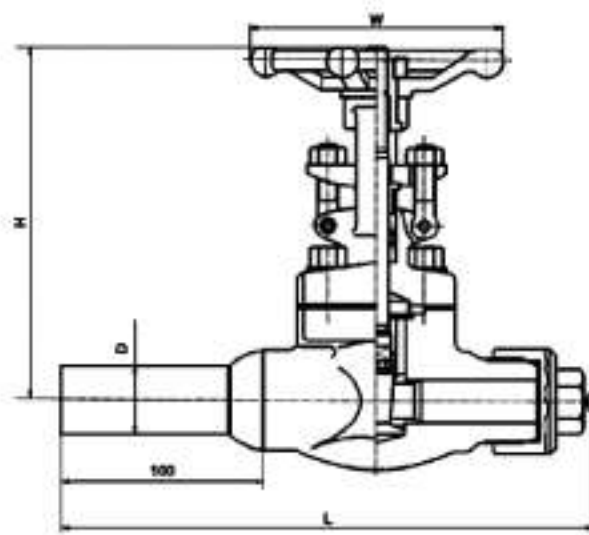
FZ41/21H-300LB-3/4"

### Features and applications

- ⊙ Reduced or full port
- ⊙ Construction: B.B&W.B;OS&Y
- ⊙ Gasket: Stainless steel +graphite
- ⊙ One end flange,the other end pipe cap
- ⊙ Replaceable hardfaced seats
- ⊙ Design&manufacture: API602 & ANSI B16.34
- ⊙ Flange dimension: ANSI B16.5
- ⊙ Male thread end dimension: GB/T7307
- ⊙ Inspect and test: API598
- ⊙ Body material: A105, LF2, F5, F11, F22, F304, F304L, F316, F316L

### Dimensions

Norminal diameter	Reduced port	mm(in)	15(1/2)	20(3/4)	25(1)	32(1 <sup>1</sup> / <sub>4</sub> )	40(1 <sup>1</sup> / <sub>2</sub> )
	Full port	mm(in)	10(3/8)	15(1/2)	20(3/4)	25(1)	32(1 <sup>1</sup> / <sub>4</sub> )
d		mm	10	13	18	23	28
L1	CL150	mm	60	65	70	75	85
	CL300	mm	70	76	82.5	89	95
	CL600	mm	82.5	95	108	114.5	120.5
L	CL150	mm	150	157	179	200	213
	CL300	mm	159	170	193	216	224
	CL600	mm	172	190	220	240	250
H (Open)		mm	166	169	193	230	246
W		mm	100	100	120	160	160



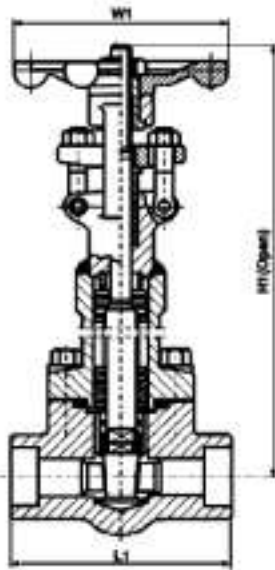
FZH-800LB-1"

## Features and applications

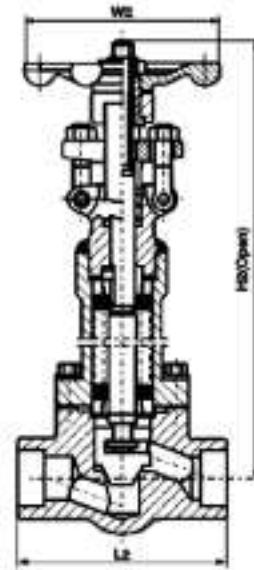
- ⊙ Reduced or full port
- ⊙ Construction: B.B&W.B;OS&Y
- ⊙ Gasket: Stainless steel +graphite
- ⊙ One end jointing pipe the other end pipe cap
- ⊙ Replaceable hardfaced seats
- ⊙ Design&manufacture: API602&ANSI B16.34
- ⊙ Socket welding dimension: GB/T7307
- ⊙ Inspect and test: API598
- ⊙ Body material: A105, LF2, F5, F11, F22, F304,F304L,F316,F316L

## Dimensions

Norminal diameter	mm(in)	15(1/2)	20(3/4)	25(1)	32(1 <sup>1</sup> / <sub>4</sub> )	40(1 <sup>1</sup> / <sub>2</sub> )	2
d	mm	10	13	18	23	28	36
D	mm	22	27	34	42	48	60
L	mm	229	238	264	275	278	308
H (Open)	mm	166	169	193	230	246	290
W	mm	100	100	120	160	160	180



Bellows Gate Valve



Bellows Globe Valve

### Features and applications

- Reduced or full port
- Construction: B.B&W.B;OS&Y
- Gasket: Stainless steel +graphite
- Socket welding & threaded ends
- Material for hard trim is depend on client notice & operating condition
- Design&manufacture: API602&ANSI B16.34
- Socket welding dimension : ANSI B16.11&JB/T175-95
- Screw and dimension: ANSI B1.20.1&GB7306-87
- Inspect and test: API598
- Body material: A105, LF2, F11, F22, F304, F304L, F316, F316L

### Reduced bellows gate valve dimensions

NPS	1/2	3/4	1	1 1/2	2
L1	79	92	111	120	140
H1	237	250	312	400	438
W1	100	100	120	160	180

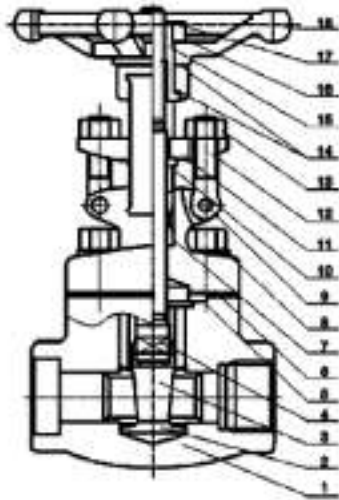
### Reduced bellows globe valve dimensions

NPS	1/2	3/4	1	1 1/2	2
L2	79	92	111	152	172
H2	235	236	285	320	400
W2	100	100	120	160	180

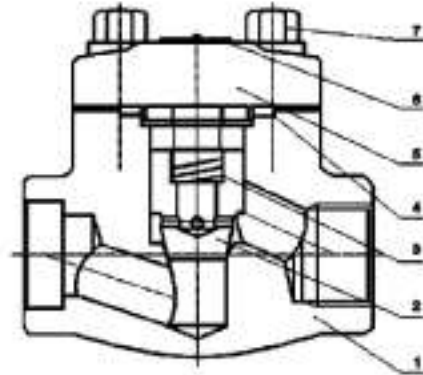




## Typical Forged Valve



Gate valve



Piston check valve

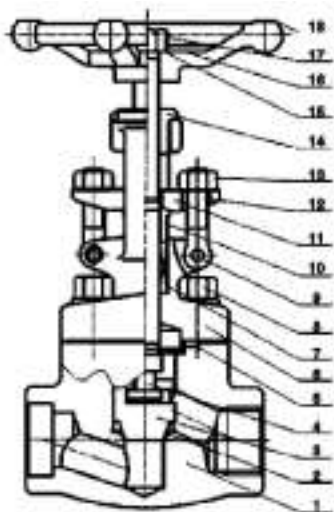
No	Part Name	Qty	ASTM Specifications								
			A105	A350	A182						
				LF2	F5	F11	F22	F304	F304L	F316	F316L
1	Body	1	A105	LF2	F5	F11	F22	F304	F304L	F316	F316L
2	Seat	2	A276-420+STL					304+STL	304L+STL	316+STL	316L+STL
3	Wedge	1	A276-420					304+STL	304L+STL	316+STL	316L+STL
4	Stem	1	A276-410					A276-304	A276-304L	A276-316	A276-316L
5	Gasket	1	304+Graphite					316+Graphite			
6	Bonnet	1	A105	LF2	F5	F11	F22	F304	F304L	F316	F316L
7	Packing	1set	Graphite					Graphite			
8	Blot	4	A193-B7	A320-L7	A193-B16			A193-B8		A193-B8M	
9	Pin	2	A276-410					A276-304			
10	Gland	1	A276-410					A276-304		A276-316	
11	Gland Flange	1	A105					F304			
12	Bolt	2	A193-B7	A320-L7	A193-B16			A193-B8		B193-B8M	
13	Nut	2	A194-2H	A194-7	A194-4			A194-8		A194-8M	
14	Gasket	2	A276-410								
15	Nut	1	A276-410					A276-410			
16	Name Plate	1	Aluminum								
17	Nut	1	A108-1020								
18	Hand Wheel	1	A47								

No	Part Name	Qty	ASTM Specifications								
			A105	A350	A182						
				LF2	F5	F11	F22	F304	F304L	F316	F316L
1	Body	1	A105	LF2	F5	F11	F22	F304	F304L	F316	F316L
2	Disc	1	A276-420					304+STL	304L+STL	316+STL	316L+STL
3	Spring	1	316								
4	Gasket	1	304+Graphite					316+Graphite			
5	Bonnet	1	A105	LF2	F5	F11	F22	F304	F304L	F316	F316L
6	Name Plate	1	Aluminum								
7	Bolt	4	A193-B7	A320-L7	A193-B16			A193-B8		A193-B8M	

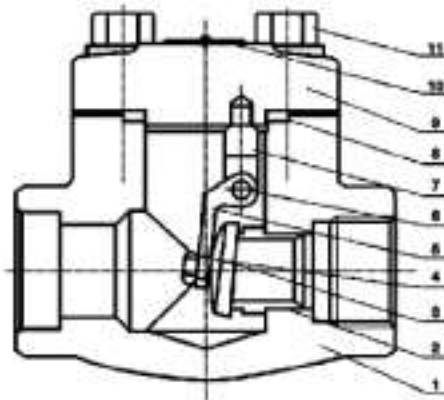
Note: STL is stellite, can also manufacture as per customer's requirement.



## Typical Forged Valve



Globe valve



Swing check valve

No	Part Name	Qty	Select Material									
			A105	A350	A182							
				LF2	F5	F11	F22	F304	F304L	F316	F316L	
1	Body	1	A105	LF2	F5	F11	F22	F304	F304L	F316	F316L	
2	Seat	1	13Cr						304+STL	304L+STL	316+STL	316L+STL
3	Disc	1	A276-420						304+STL	304L+STL	316+STL	316L+STL
4	Stem	1	A276-420						A276-304	A276-304L	A276-316	A276-316L
5	Gasket	1	304+Graphite						316+Graphite			
6	Bonnet	1	A105	LF2	F5	F11	F22	F304	F304L	F316	F316L	
7	Packing	1	Graphite						Graphite			
8	Blot	4	A193-B7	A320-L7	A193-B16			A193-B8		A193-B8M		
9	Pin	2	A276-410						A276-304			
10	Gland	1	A276-410						A276-304		A276-316	
11	Gland Flange	1	A105						F304			
12	Bolt	2	A193-B7	A320-L7	A193-B16			A193-B8		B193-B8M		
13	Nut	2	A194-2H	A194-7	A194-4			A194-8		A194-8M		
14	Nut	1	A276-410						A276-410			
15	Gasket	1							A108-1020			
16	Name Plate	1							Aluminum			
17	Nut	1							A194-2H			
18	Hand Wheel	1							A47			

No	Part Name	Qty	Select Material									
			A105	A350	A182							
				LF2	F5	F11	F22	F304	F304L	F316	F316L	
1	Body	1	A105	LF2	F5	F11	F22	F304	F304L	F316	F316L	
2	Seat	1	A276-420+STL						304	304L	316	316L
3	Disc	1	A276-420						304	304L	316	316L
4	Nut	1							A194-8			
5	Rocker	1							A351-CF8M			
6	Pin	1							A276-304			
7	Arm Set Pin	1	A276-420						A276-304		A276-316	
8	Gasket	1	304+ Graphite						316+ Graphite			
9	Bonnet	1	A105	LF2	F5	F11	F22	F304	F304L	F316	F316L	
10	Name Plate	1							Aluminum			
11	Bolt	4	A193-B7	A320-L7	A193-B16			A193-B8		A193-B8M		

Note: STL is stellite, can also manufacture as per customer' s requirement.